



# AGRIMAC

MAKE WORK AN ADVENTURE

ROUGH TERRAIN MACHINERY



# AGRIMAC

## MAKE WORK AN ADVENTURE

At AGRIMAC we believe that manufacturing rough terrain machinery is much more than producing robust machines: it means offering confidence, durability and real solutions to those who work on demanding terrain.

Our history began almost seventy years ago, in 1958, as a result of a joint venture between Basque and German entrepreneurs who shared a vision: to create **robust, reliable and easy-to-maintain machinery**. Thus AGRIMAC was born, a brand that soon gained recognition in the agricultural sector and that, over time, expanded its expertise into construction and handling on uneven terrain.

From our facilities in Amorebieta, in the industrial heart of northern Spain, we manufacture **rough terrain machinery that combines durability, mechanical simplicity and consistent performance** in any environment. Each of our forklifts and dumpers reflects our philosophy: practical, accessible and honest solutions that work where others stop.

Throughout our journey we have known how to adapt to market changes, even in the toughest moments. The 2008 crisis forced us to stop, look inward and rethink our direction. Today, after a deep renewal and with a strengthened team, AGRIMAC is experiencing a new stage of growth, modernization and international expansion.

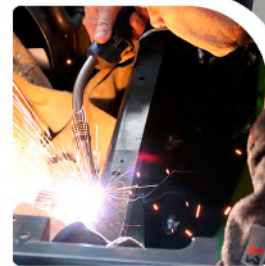
We have grown while keeping intact our way of understanding this profession: **staying close to the customer, listening and delivering on what we promise**. This closeness, together with the quality and reliability of our machines, has allowed us to consolidate an increasingly strong presence in Europe and in other international markets such as Asia, South America, Africa and Oceania.

At AGRIMAC we believe that well-done work is what lasts. That is why every machine we manufacture carries behind it **the effort, precision and commitment of a team that enjoys its work** and continues to face every challenge with the same passion as always.

Because behind every AGRIMAC machine there are people. People who believe in what they do, who enjoy a job well done and who, every day, make their work an adventure.



**Javier Gometza**  
CEO of Agrimac



“ We manufacture rough terrain machinery that combines durability, mechanical simplicity and consistent performance in any environment”



## MISSION



At AGRIMAC we design and manufacture reliable, durable and easy-to-maintain rough terrain machinery, designed to **make the work of those who face the most demanding terrain every day easier**. Our mission is to offer honest and robust solutions that inspire confidence, continuously listening to and learning from our customers in order to improve every machine and every process.

## VISION



To consolidate AGRIMAC's recognition and leadership in Spain and strengthen our position in Europe and other international markets as a benchmark for reliable, simple and user-focused rough terrain machinery. We aim to **continue growing sustainably, driving modernization and innovation**, and taking care of the people who make our success possible: team, customers and distributors.

## VALUES



At AGRIMAC we keep our family spirit alive, the foundation of the values that guide every decision, every relationship and every machine we manufacture.

**Closeness:** we understand and support our customers and distributors, listening to their needs to offer real solutions.

**Commitment:** we stand by our word, our deadlines and the quality of every machine.

**Honesty:** we work transparently, with the conviction that doing things right is the only path to trust.

**Pride in a job well done:** we value the precision, dedication and effort of every professional who is part of AGRIMAC.

**Well-being and respect:** we take care of the people who make our growth possible, promoting an environment of collaboration, safety and shared pride.

**Adventurous spirit:** curiosity, self-improvement and the desire to go further drive us. We face new challenges with the same passion with which we work the land: with our feet firmly on the ground and our eyes on the horizon. Because for us, making work an adventure is not just a slogan: it is the attitude that drives us to grow, innovate and conquer new markets without losing our family essence.



3.500 KG

DW35

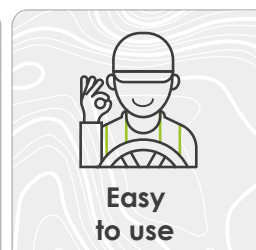
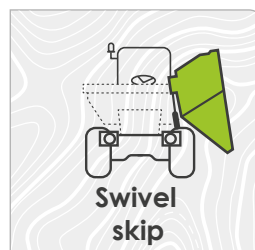
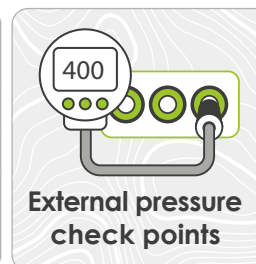
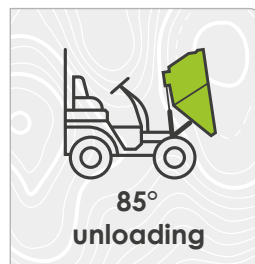
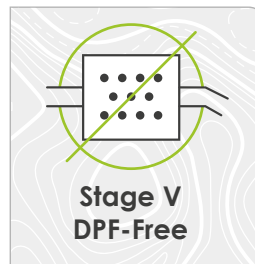
Loading, unloading  
and manoeuvring  
on any terrain

The AGRIMAC DW35 is an articulated rough terrain dumper designed to deliver **maximum traction, stability and control** in demanding environments. Its hydrostatic transmission and intrawheel 4x4 traction ensure exceptional manoeuvrability, even on uneven or hard-to-access terrain.

The DPF-free engine provides consistent performance and low maintenance, ensuring efficiency and reliability over time. Its **1,070-litre load capacity** and **85° tilt** angle make it a versatile and precise tool for moving materials quickly and safely.

True to the AGRIMAC spirit, the DW35 combines **versatility, simplicity and durability**, offering a robust solution for the most demanding working conditions.

Engine	<b>Kubota V1505 with 25 HP</b>
Hydrostatic pump	<b>Linde</b>
Wheel motors	<b>Poclairn Twinlock (anti-slip)</b>
Unladen weight	<b>2490 kg</b>
Max. speed	<b>18 km/h</b>
Ground clearance	<b>330 mm</b>



## Transportable and Designed to **PERFORM**

The DW35 stands out for its **high load capacity and ease of transport**. Its balanced structure and optimised weight allow it to be easily moved between worksites or work areas without the need for special equipment.

In addition, its ability to unload at 85° makes it unique, ensuring **complete and efficient material discharge**, reducing cycle times and improving productivity in every operation.



We adapt our DW35 for work on **golf courses** with the inclusion of **ProGarden** tyres, available in our accessories catalogue.

## APPLICATIONS and working environments

The **construction sector** is the natural habitat of our DW35.



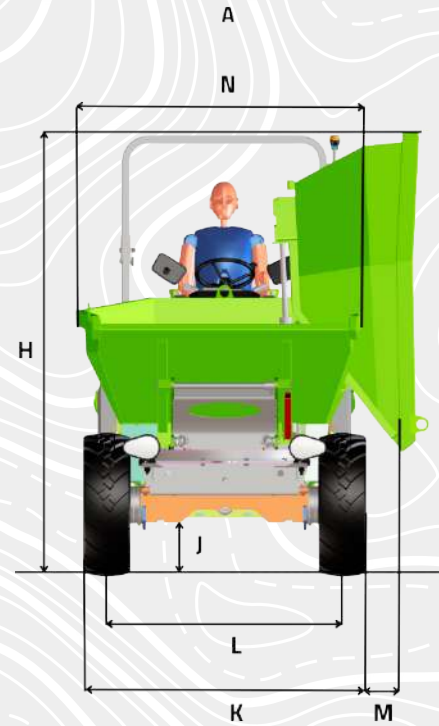
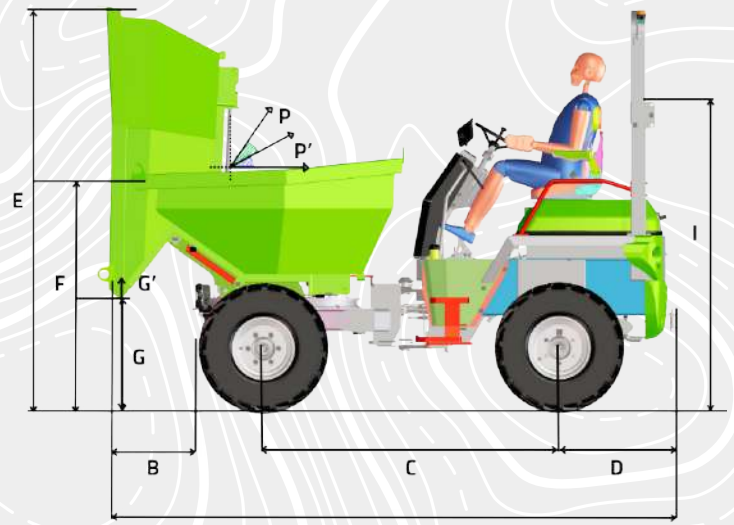
# DW35 ARTICULATED DUMPER

## 3500KG

GENERAL		Unit	DW35
Unloading system	-		Rotating
Payload	kg		3500
Chassis	-		Articulated and oscillating
Water skip capacity	l		1070
Level skip capacity	l		1340
Unladen weight	kg		2490
Transmission	-		Hydrostatic
ENGINE			
Brand	-		Kubota
Model	-		V1505
Power	kW / HP		18,5 / 25
Displacement	cm <sup>3</sup>		1498
Rpm	rpm		2300
Torque	N·m@rpm		92,5@1600
No. of cylinders	-		4
Emissions	-		Stage V
Alternator	V - A		12 - 40
Gasses treatment	-		DPF-Free
DRIVING			
Max. speed	km/h		18
Gradeability	%		35
Traction	-		4x4 Twin-Lock
Front and rear tyres	-		11.5/80-15.3
HYDRAULIC SYSTEM			
Hydraulic circuit	-		Single gear pump 11cm <sup>3</sup>
Working pressure	bar		150
TANKS			
Fuel	l		35
Hydraulic	l		35
BRAKES			
Service	-		Drum brakes on front wheels
Parking	-		Automatic (multi-disc) on rear wheels

# DIMENSIONS

Dimensions (mm)	DW35
Internal turning radius	2265
External turning radius	3990
A	3795
B	550
C	1980
D	805
E	2715
F	1700
G*	790
G**	930
H	2685
I	2075
J	330
K	1725
L	1435
M	250
N	1815
Dimensions (°)	DW35
P	85
P'	65



\*Measured at 85° (P) tilt  
 \*\*Measured at 65° (P') tilt



1.700 KG

TE17

The first electric  
of the family

The AGRIMAC TE17 is an electric rough terrain forklift capable of lifting **up to 1,700 kg** with masts of **up to 4 metres**, designed to deliver performance and sustainability in any environment. Its 4x4 traction and robust design ensure stability and control even on uneven terrain or in adverse weather conditions.

Its high-performance electric system provides **smooth and powerful driving**, with sufficient autonomy for full working days. In addition, its **emission-free operation** allows it to work in indoor environments, urban areas or zones with environmental restrictions.

True to the AGRIMAC spirit, the TE17 combines **innovation, silence and reliability**, offering an efficient, sustainable and versatile alternative without sacrificing the strength of a true rough terrain machine.



Engine	CFR
Hydrostatic pump	Linde
Wheel motors	Poclain (MSE02-MGE02)
Unladen weight	3000 kg
Max. speed	20 km/h
Ground clearance	420 mm
Ground clearance (Mast)	240 mm

# SILENT, CLEAN AND EFFICIENT

The TE17 is the ideal **electric forklift** for indoor work, events or night-time jobs, where silence and precision are essential. Its **high-performance electric system** allows fast loading and unloading while maintaining a **smooth and consistent response**.

Thanks to its emission-free operation, it can work in urban environments, enclosed spaces or protected natural areas, offering a **sustainable and productive solution** for those seeking efficiency without sacrificing power.

H max.

4 meters

## APPLICATIONS and working environments

You can see the TE17 operating at **festivals, events, urban worksites, fruit farming, greenhouses** or areas with **acoustic or environmental restrictions**. Its silence, traction and versatility make it the perfect choice for those who need a reliable, emission-free electric rough terrain forklift.



# TE17 ELECTRIC FORKLIFT

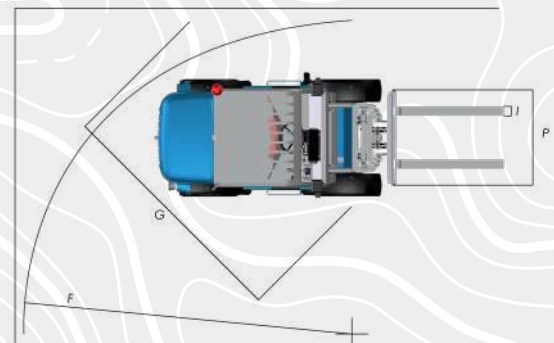
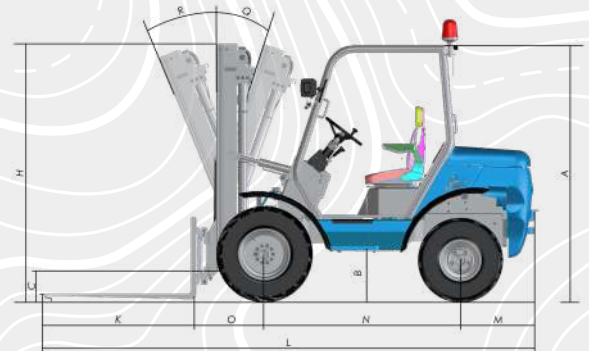
## 1700KG

GENERAL	Unit	TE17
Load capacity at 500mm	kg	1.700
Unladen weight	kg	3.000 (triplex 4 m)
Ground clearance	mm	420
Ground clearance under mast	mm	240
ENGINE		
Model	-	CFR
Power	kW / HP	23 / 31
Emissions	-	Zero-emission
DRIVING		
Speeds	-	1 forward + 1 reverse
Maximum speed	km/h	20
Gradeability	%	20
Internal turning radius	mm	2.052
External turning radius	mm	4.000
Steering	-	Hydraulic with priority valve
Traction	-	4x4
Brakes	-	Hydrostatic on drive wheels. Service (disc) on front wheels. Automatic parking (multi-disc) on front wheels.
Tyres	-	Front: 10,0/75-15,3" Rear: 7.00-12"
HYDRAULIC SYSTEM		
Transmission	-	Hydrostatic
Working pressure	bar	420
Auxiliary hydraulic circuit	-	Single gear pump + priority valve
Flow rate	l/min	32
Pressure	bar	140-160
TANKS		
Hydraulic	l	35
EQUIPMENT		
Battery	V – Ah	100 - 320
Battery model	-	BSL
Charger	V	100
Mast options	m	Duplex: 2,5 / 3,14 / 3,6 Triplex: 3 / 3,8 / 4
Cab options		FOPS / Semicab / Fullcab / Orchard / Buggie
Joystick		Optional

# DIMENSIONS

Mast type	Max. lift height (mm)	Retracted mast height (mm)	Extended mast height (mm)	Free lift (mm)	Load at max. height (kg)
Duplex	2500	2080	3110	-	1700
Duplex	3140	2400	3750	-	1700
Duplex	3600	2630	4210	-	1565
Triplex	3000	1820	3610	1070	1700
Triplex	3800	1960	4410	1330	1315
Triplex	4000	2180	4610	1330	1390

Dimensions (mm)	TE17
A	2085
B	420
C	240
D	1086
E	1352
F	4000
G	2052
I	100
J	40
K	607
L	4044
M	645
N	1592
O	1200
P	1100
Dimensions (°)	TE17
Q	8
R	8





1.200 - 3.500 KG

# ROUGH TERRAIN DIESEL FORKLIFTS



## Wheel motors

The use of **hydraulic motors integrated into the wheels** is a common solution in military and emergency vehicles, such as fire trucks, due to their excellent performance on uneven terrain.

By incorporating them into our machines and dispensing with differential axles, we manage to **reduce total weight, increase ground clearance and eliminate the issues** associated with traditional mechanical transmissions.



## Stage V DPF-Free

The AGRIMAC range equipped with **particle filter-free engines** stands out for its mechanical simplicity, low fuel consumption and virtually maintenance-free operation.

Thanks to its optimised design and the calibration of the 25 hp engine, these machines **maintain full traction force and load capacity**, avoiding regenerations, downtime and intervention costs associated with DPF systems.



## Full PowerTrack

Enables **manual control** and **flow divider** operation on the TW25KX and TW35VX models.

A technical and versatile concept that combines disconnectable 4x4 traction with a flow divider, delivering **on-demand traction, greater efficiency and reduced fuel consumption**.



## Joystick Command Pro

High-resistance **hydraulic-mechanical control**, designed to provide **direct, precise control with no electronic delays**. Manufactured with robust components and an ergonomic design, it ensures total reliability under extreme conditions, reducing maintenance and maximising productivity.

Unlike electrical systems, the Joystick Command Pro maintains real physical contact with the hydraulic circuit, offering **greater sensitivity, durability and operational safety** even in the most demanding environments.



## Cabin EasyAccess Design

AGRIMAC design philosophy that guarantees **full and safe access** to all maintenance and service points.

Thanks to its **fully tilting cab** and **external pressure ports**, it allows operators and technicians to carry out diagnostics, adjustments and maintenance tasks easily and quickly, reducing downtime and increasing productivity.



1.200 KG

# TW12

Light and agile,  
the smallest  
in the range

The AGRIMAC TW12 is the most compact rough terrain forklift in the range, designed for those who need manoeuvrability, reliability and low fuel consumption in confined spaces. With a lifting capacity of **up to 1,200 kg** and masts of **up to 3.6 metres**, it combines versatility and power to work both in agriculture and in enclosed environments such as greenhouses, warehouses or small holdings.

Its DPF-free engine **guarantees efficiency and easy maintenance**, while its low weight allows it to be easily transported on small trailers, offering the freedom to move it between farms or different work areas.

True to the AGRIMAC spirit, the TW12 brings together **durability, traction and ease of use** to make working on any terrain more comfortable, safe and efficient.

Engine	<b>Kubota D1105 with 25 HP</b>
Hydrostatic pump	<b>Linde</b>
Wheel motors	<b>Poclain (MSE02-MGE02)</b>
Unladen weight	<b>2100 kg</b>
Max. speed	<b>18 km/h</b>
Ground clearance	<b>365 mm</b>
Ground clearance (Mast)	<b>290 mm</b>

**Rough terrain**  
4x4 - 4x2

**High ground clearance**

**Stage V**  
DPF-Free

**Trailer spec**

**EasyAccess design**

**External pressure checkpoints**

**No electronics**

**Easy to use**

## The most compact rough terrain forklift, **DESIGNED FOR THE ESSENTIAL**

The AGRIMAC TW12 is the perfect choice for those who need a **light and functional** rough terrain forklift, without oversizing their investment. Ideal for moving pallets or loads between 500 and 900 kg, it delivers the right amount of power and the necessary savings for everyday work on farms, in greenhouses or in small agricultural operations.

Thanks to its compact and efficient design, it allows users to enjoy the advantages of a rough terrain forklift without moving up to models over 1,500 kg, maintaining a perfect balance between performance, cost and manoeuvrability.

You can find the TW12 working in **greenhouses, orchards, agriculture, nurseries** or **berry crops**, as well as in **gardening, beekeeping** and **construction** sites. Its compact size and ease of transport make it an ideal option for those who need a light and versatile rough terrain forklift for daily tasks.

## APPLICATIONS and working environments





1.600 KG

# TW16

Perfect balance  
between power  
and agility

The AGRIMAC TW16 is a compact and versatile 4x4 rough terrain forklift, designed for those who need greater load capacity without sacrificing mobility. With a capacity of **up to 1,600 kg** and masts of **up to 4 metres**, it delivers optimal performance in agriculture, landscaping and small construction works.

Its DPF-free engine **ensures efficiency, low fuel consumption and easy maintenance**, while its reduced weight allows it to be easily transported on trailers under 3,500 kg, facilitating movement between worksites, farms or work areas.

True to the AGRIMAC spirit, the TW16 combines **durability, traction and mechanical simplicity** to deliver consistent performance even in demanding terrain.

Engine	<b>Kubota V1505 with 25 HP</b>
Hydrostatic pump	<b>Linde</b>
Wheel motors	<b>Poclain (MSE02-MGE02)</b>
Unladen weight	<b>2415 kg</b>
Max. speed	<b>18 km/h</b>
Ground clearance	<b>410 mm</b>
Ground clearance (Mast)	<b>325 mm</b>

**Rough terrain  
4x4 - 4x2**

**High ground  
clearance**

**Stage V  
DPF-Free**

**Trailer spec**

**EasyAccess  
design**

**External pressure  
check points**

**No electronics**

**Easy  
to use**

## Easy to transport, **DESIGNED FOR EVERYDAY USE**

The TW16, thanks to its **compact size and reduced weight**, can be easily transported on trailers, making it easier to move between worksites, farms or warehouses. This total mobility helps optimise working times, reduce logistics costs and increase productivity.

Its 1,600 kg capacity makes it an ideal option for those handling medium loads or big bags in construction, landscaping or agricultural operations, while maintaining a compact and easy-to-handle size.

## APPLICATIONS and working environments

You can find the TW16 working in **agricultural operations, nurseries, landscaping, urban works** or **small construction sites**, as well as in **fruit crops** and **gardening** tasks. Thanks to its load capacity and ease of transport, it is the ideal choice for professionals who need a powerful, versatile rough terrain forklift that is easy to move between different working environments.





1.700 KG

# TW17

Perfect balance  
between design  
and versatility

The AGRIMAC TW17 is a balanced and versatile 4x4 rough terrain forklift, capable of lifting **up to 1,700 kg** with masts of **up to 4 metres**. Its compact size and agility make it ideal for working in confined spaces or on uneven terrain, while always maintaining stability and control.

Its DPF-free engine **guarantees efficiency and low fuel consumption**, while its optimised weight facilitates transport on trailers under 3,500 kg, allowing it to be easily moved between farms, worksites or work areas.

True to the AGRIMAC spirit, the TW17 combines **durability, traction and manoeuvrability**, delivering consistent performance and easy maintenance even in the most demanding environments.

Engine	<b>Kubota V1505 with 25 HP</b>
Hydrostatic pump	<b>Linde</b>
Wheel motors	<b>Poclain (MSE02-MGE02)</b>
Unladen weight	<b>2565 kg</b>
Max. speed	<b>18 km/h</b>
Ground clearance	<b>420 mm</b>
Ground clearance (Mast)	<b>240 mm</b>

**Rough terrain  
4x4**

**High ground  
clearance**

**Stage V  
DPF-Free**

**Trailer spec**

**EasyAccess  
design**

**Dual PowerTrack**

**35%  
gradeability**

**Cab  
option**

# CUSTOMISABLE for every environment

The TW17 is the most customisable forklift in the AGRIMAC range. It can be configured with **different cab options** depending on the working environment:

- ▶ **Buggie cab**, designed for garages or spaces with reduced height (<2 m).
- ▶ **Orchard cab**, with “/\”-shaped cab sides, ideal for working in fruit crops.

Its versatility and compact size make it an adaptable **rough terrain solution** for professionals seeking comfort and performance without complications.

H max.

4 meters

## APPLICATIONS and working environments

You can find the TW17 working in **fruit crops, vineyards, landscaping, golf courses, events** or in **public and urban works**. Its manoeuvrability and customisation options make it an ideal rough terrain forklift for farmers, contractors and green space maintenance professionals.





2.000 KG

# TW20

Compact,  
robust and  
uncomplicated

The AGRIMAC TW20 is a 4x4 rough terrain forklift designed for those seeking power, reliability and ease of maintenance in a compact machine. With a lifting capacity of **up to 2,000 kg** and masts of **up to 6 metres**, it delivers excellent performance in agriculture, construction and material handling on uneven terrain.

Its 25 HP DPF-free engine ensures **optimal efficiency and low fuel consumption**, while direct access to the engine and External hydraulic test points make diagnostics and daily maintenance easier.

True to the AGRIMAC spirit, the TW20 combines **durability, traction and high ground clearance**, allowing safe and comfortable operation even in the most demanding environments.

**Rough terrain  
4x4**

**High ground  
clearance**

**Stage V  
DPF-Free**

**Joystick  
Command Pro**

**EasyAccess  
design**

**External pressure  
check points**

**25%  
gradeability**

**Cab  
option**

Engine	<b>Kubota V1505 with 25 HP</b>
Hydrostatic pump	<b>Linde</b>
Wheel motors	<b>Poclain (MSE05-MGE05)</b>
Unladen weight	<b>3470 kg</b>
Max. speed	<b>18 km/h</b>
Ground clearance	<b>345 mm</b>
Ground clearance (Mast)	<b>210 mm</b>

# Simplicity THAT MAKES THE DIFFERENCE

The TW20 proves that efficiency does not need complexity. Its 4x4 traction and maximum speed of 18 km/h allow **agile and controlled operation** even on uneven terrain. It does without unnecessary screens or electronic systems, opting instead for direct, intuitive and reliable handling.

Its simple maintenance and robust design make it an ideal rough terrain tool for those seeking **performance and durability** without gimmicks.

H max.

6 meters

## APPLICATIONS and working environments

You can see the TW20 working in **fruit-growing** and **wine-growing** operations, **nurseries** and **landscaping**, **event organisation**, **agricultural operations** or **public works**. Its versatility makes it a rough terrain solution for all these sectors.





2.500 KG

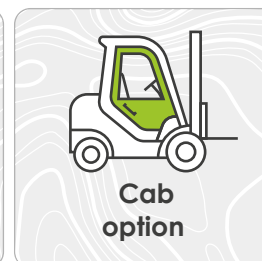
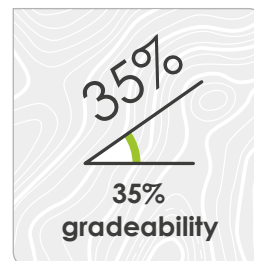
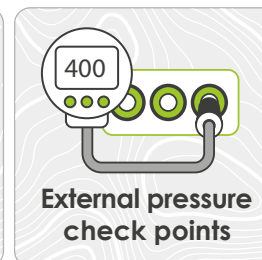
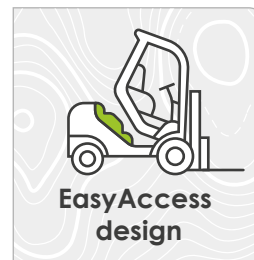
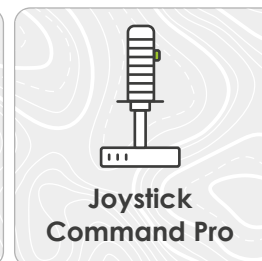
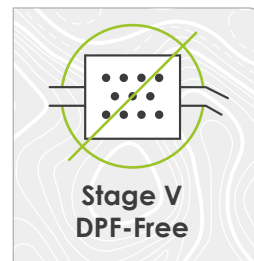
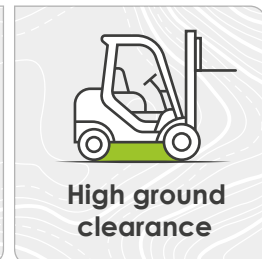
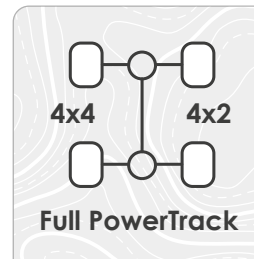
# TW25

The highest-capacity  
DPF-free forklift  
on the market

The AGRIMAC TW25 is a robust and well-balanced 4x4 rough terrain forklift, capable of lifting **up to 2,500 kg** with **masts of up to 6 metres**. Designed to deliver maximum performance and control, it adapts to the most demanding tasks in agriculture, construction and heavy material handling.

Its DPF-free engine ensures **efficiency and low fuel consumption**, while direct access to mechanical components and External hydraulic test points makes daily maintenance tasks easier.

True to the AGRIMAC spirit, the TW25 combines **strength, traction and stability**, allowing you to tackle steep slopes and uneven terrain with total safety and confidence.



Engine	Kubota V1505 with 25 HP
Hydrostatic pump	Linde
Wheel motors	Poclain (MSE05-MGE05)
Unladen weight	3728 kg
Max. speed	21 km/h
Ground clearance	345 mm
Ground clearance (Mast)	210 mm

## Where others need filters, THE TW25 RESPONDS WITH SKILL

Capable of overcoming **slopes of up to 35% full loaded**, the TW25 demonstrates its true strength in the most demanding terrain. Its **permanent traction**, balanced chassis and optimised centre of gravity ensure **exceptional stability even on uneven surfaces**, delivering the control and safety that only a true AGRIMAC rough terrain forklift can provide.

## APPLICATIONS and working environments

You can see the TW25 working on **construction sites**, **agriculture**, **events**, **handling round bales** and in the **recycling sector**, especially paper recycling. Its strength and stability make it a rough terrain solution ready for the most demanding environments.





3.500 KG

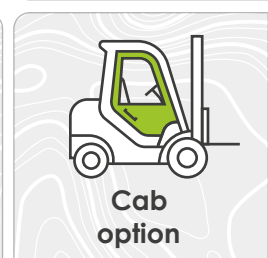
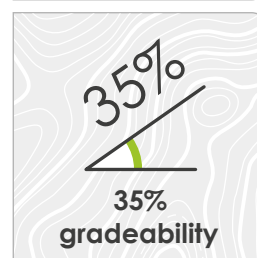
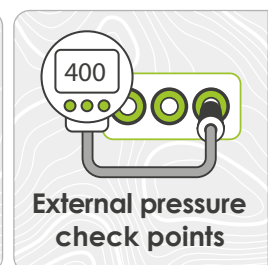
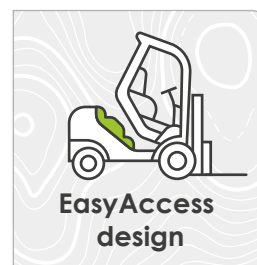
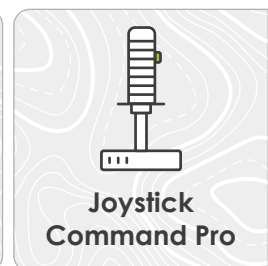
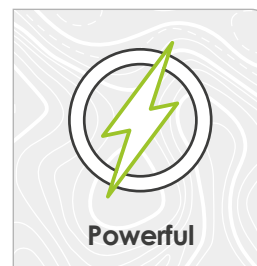
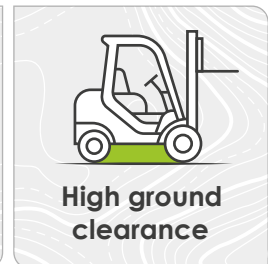
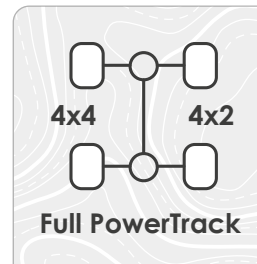
# TW35

The most powerful  
in the AGRIMAC  
range

The AGRIMAC TW35 is the most powerful rough terrain forklift in the range, capable of lifting **up to 3,500 kg** with masts of **up to 6 metres**. Designed to deliver maximum performance in agriculture, construction and recycling, it combines strength and precision in the most demanding environments.

Its latest-generation engine with Stage V DPF system maintains all the characteristic AGRIMAC power and traction, **ensuring efficiency, low fuel consumption and environmental compliance**. The intrawheel 4x4 hydrostatic system provides total control and immediate response, even on uneven surfaces.

With its easy-access cab and External hydraulic test points, the TW35 **facilitates daily maintenance and ensures consistent reliability**. True to the AGRIMAC spirit, it brings together power, precision and durability to perform where other machines cannot reach.



Engine	Kohler KDI1903 with 50 HP
Hydrostatic pump	Linde
Wheel motors	Poclain (MSE05-MGE05)
Unladen weight	4211 kg
Max. speed	24 km/h
Ground clearance	365 mm
Ground clearance (Mast)	225 mm

**Built to**

# CONQUER ANY SLOPE

The TW35 tackles the most demanding jobs with confidence. Its power and traction ensure **safe progress even on the toughest terrain**, overcoming slopes and obstacles with complete authority. As AGRIMAC's **most powerful forklift**, it combines **strength, stability and control** to perform where others stop. In environments where difficulty sets the limit, AGRIMAC redefines it.

H max.

6 meters



## APPLICATIONS and working environments

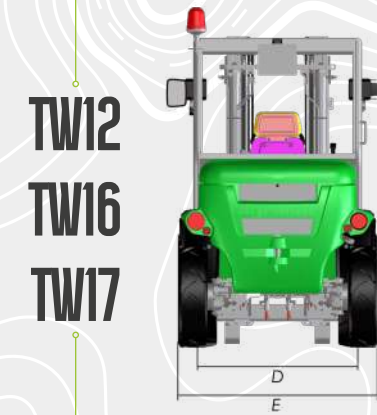
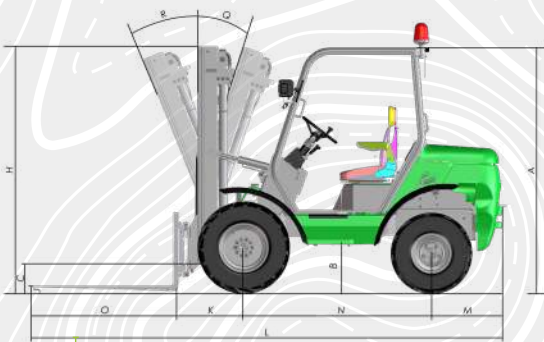
You can see the TW35 working in **construction sites, concrete and brick plants, agriculture**, as well as in **quarries, sawmills** and the **recycling** sector, including paper recycling and scrap yards. Its power and traction make it an ideal rough terrain solution for the most demanding and continuous operations.



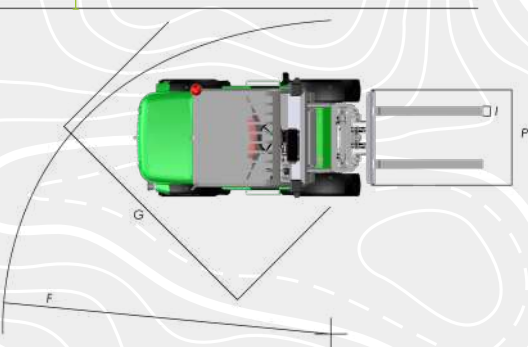
# DIMENSIONS

TW12 TW16 TW17 TW20 TW25 TW35 TW12 TW16 TW17 TW20 TW25 TW35

Mast Type	Max. Lift Height (mm)	Retracted Mast Height (mm)						Extended Mast Height (mm)					
Duplex	2500	2040	2080	2080	-	-	-	3110	3110	3110	-	-	-
Duplex	3140	2360	2400	2400	2290	2290	-	3750	3750	3750	3750	3750	-
Duplex	3600	2590	2630	2630	2520	2520	2530	4210	4210	4210	4210	4210	4375
Triplex	3000	1780	1820	1820	-	-	-	3610	3610	3610	-	-	-
Triplex	3800	-	1960	1960	-	-	-	-	4410	4410	-	-	-
Triplex	4000	-	2180	2180	2070	2070	-	-	4610	4610	4610	4610	-
Triplex	4500	-	-	-	-	-	2300	-	-	-	-	-	5275
Triplex	6000	-	-	-	2840	2840	2950	-	-	-	6610	6610	6775



TW12  
TW16  
TW17



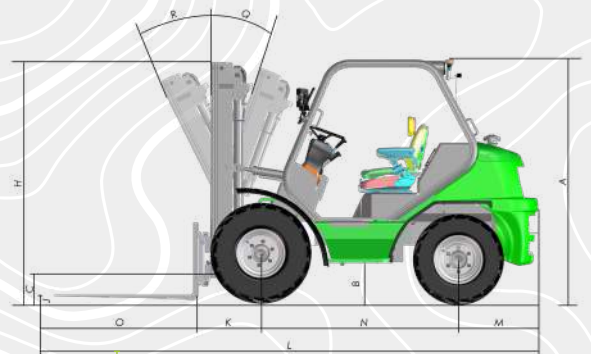
TW12-2 TW12-4 TW16-2 TW16-4

	Dimensions (mm)			
A	2030	2030	2070	2070
B	365	365	410	410
C	290	290	325	325
D	1090	1090	1135	1135
E	1365	1365	1400	1400
F	3700	3900	3875	4075
G	2000	2200	2175	2375
I	100	100	100	100
J	40	40	40	40
K	540	540	565	565
L	3835	3835	3910	3910
M	495	495	510	510
N	1600	1600	1635	1635
O	1200	1200	1200	1200
P	1100	1100	1100	1100
	Dimensions (°)			
Q	10	10	10	10
R	6	6	6	6

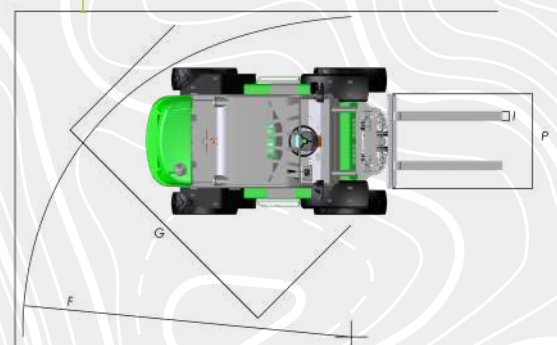
TW12 TW16 TW17 TW20 TW25 TW35 TW12 TW16 TW17 TW20 TW25 TW35

Mast Type	Max. Lift Height (mm)	Free Lift (mm)						Load at Max. Height (kg)					
Duplex	2500	-	-	-	-	-	-	1200	1600	1700	-	-	-
Duplex	3140	-	-	-	-	-	-	1200	1600	1700	2000	2500	-
Duplex	3600	-	-	-	-	-	-	1100	1480	1565	1880	2340	3280
Triplex	3000	1070	1070	1070	-	-	-	1200	1600	1700	-	-	-
Triplex	3800	-	1330	1330	-	-	-	-	1395	1315	-	-	-
Triplex	4000	-	1330	1330	1330	1330	-	-	1315	1390	1715	2260	-
Triplex	4500	-	-	-	-	-	1570	-	-	-	-	-	2610
Triplex	6000	-	-	-	2110	2110	2110	-	-	-	900	1040	1500

	TW17	TW20	TW25	TW35
<b>Dimensions (mm)</b>				
A	2085	2070	2070	2110
B	420	345	345	365
C	240	210	210	225
D	1086	1430	1430	1560
E	1352	1720	1720	1870
F	4000	3725	3725	4400
G	2052	2225	2225	2100
I	100	100	100	125
J	40	40	40	45
K	607	580	580	640
L	4044	4165	4165	4505
M	645	685	685	685
N	1592	1700	1700	1980
O	1200	1200	1200	1200
P	1100	1100	1100	1300
<b>Dimensions (°)</b>				
Q	8	10	10	10
R	8	7	7	7



TW20  
TW25  
TW35



# EQUIPMENT

Operator's station	TW12	TW16	TW17	TW20	TW25	TW35
Open FOPS cab	✓	✓	✓	✓	✓	✓
Semi-closed cab with front, rear and upper windscreens			+	+	+	+
Closed cab with heating			+	+	+	+
StageV DPF-Free	✓	✓	✓	✓	+	
Masts	TW12	TW16	TW17	TW20	TW25	TW35
Dúplex 2,50 m	✓	+	+			
Dúplex 3,14 m	+	+	+	+		
Dúplex 3,60 m	+	+	+	+	+	+
Tríplex 3 m	+	+	+			
Tríplex 3,80 m		+	+			
Tríplex 4,00 m		✓	✓	✓	✓	
Tríplex 4,50 m						✓
Tríplex 6,00 m				+	+	+
Safety	TW12	TW16	TW17	TW20	TW25	TW35
Seat with operators presence sensor	✓	✓	✓	✓	✓	✓
Seat belt with fasten sensor	+	+	+	+	+	+
Rotating beacon	✓	✓	✓	✓	✓	✓
Acoustic warning for reverse gear	✓	✓	✓	✓	✓	✓
LED Area Warning Light	+	+	+	+	+	+
Emergency stop				✓	✓	✓
Negative parking brake	✓	✓	✓	✓	✓	✓
Mast safety lock	✓	✓	✓	✓	✓	✓
Lighting and driving	TW12	TW16	TW17	TW20	TW25	TW35
LED road lights	+	✓	✓	✓	✓	✓
Front and rear LED working lights	+	+	+	+	+	+
Left rear-view mirror	✓	✓	✓	✓	✓	✓
Right rear-view mirror	+	+	+	+	+	+
2 speeds (fast and slow)				✓	✓	✓
Tyres	TW12	TW16	TW17	TW20	TW25	TW35
Tyres ProGarden	+	+	+			
Puncture-proof tyres			+	+	+	+

✓ Standard + Optional

<b>Comfort</b>	<b>TW12</b>	<b>TW16</b>	<b>TW17</b>	<b>TW20</b>	<b>TW25</b>	<b>TW35</b>
Adjustable ergonomic seat	✓	✓	✓	✓	✓	✓
FullConfort seat with mechanical suspension			+	+	+	✓
Steering wheel with adjustable tilt and reach					+	✓
High-durability hydraulic-mechanical Command Pro joystick			+	✓	✓	✓
Tilting cab EasyAccess Design	✓	✓	✓	✓	✓	✓
Armrests	✓	✓	✓	✓	✓	✓
<b>Advanced equipment</b>	<b>TW12</b>	<b>TW16</b>	<b>TW17</b>	<b>TW20</b>	<b>TW25</b>	<b>TW35</b>
Hydrostatic transmission with hydraulic motors	✓	✓	✓	✓	✓	✓
Serial PowerTrack	✓	✓		✓	+	
Dual PowerTrack			✓			
Full PowerTrack					✓	✓
Digital display					+	✓
<b>Attachments</b>	<b>TW12</b>	<b>TW16</b>	<b>TW17</b>	<b>TW20</b>	<b>TW25</b>	<b>TW35</b>
Load backrest	+	+	+	+	+	+
Fork positioner	+	+	+	+	+	+
Load rotator	+	+	+	+	+	+
500-litre bucket mounted on forks			+	+	+	+
Side clamps					+	+
<b>Forks</b>	<b>TW12</b>	<b>TW16</b>	<b>TW17</b>	<b>TW20</b>	<b>TW25</b>	<b>TW35</b>
1,200 mm forks	✓	✓	✓	✓	✓	✓
1,500 mm forks				+	+	+
2,000 mm forks					+	+
FEM IIB fork carriage	✓	✓	✓	✓	✓	
FEM IIIB fork carriage						✓
Sideshift	✓	✓	✓	✓	✓	✓
<b>Accessories</b>	<b>TW12</b>	<b>TW16</b>	<b>TW17</b>	<b>TW20</b>	<b>TW25</b>	<b>TW35</b>
4th hydraulic function for attachments	+	+	+	+	+	+
Document holder	✓	✓	✓	✓	✓	✓
Diesel fuel water separator filter			✓	✓	✓	✓
<b>Spare parts</b>	<b>TW12</b>	<b>TW16</b>	<b>TW17</b>	<b>TW20</b>	<b>TW25</b>	<b>TW35</b>
400 h maintenance kit	+	+	+	+	+	+

✓ Standard + Optional

# TECHNICAL DATA

GENERAL		Unit	TW12	TW16	TW17
Load capacity at 500 mm	kg		1.200	1.600	1.700
Unladen weight	kg		2.100 (duplex 2,5 m)	2.415 (duplex 2,5 m)	2.565 (duplex 2,5 m)
Ground clearance	mm		365	410	420
Ground clearance mast	mm		290	325	240
ENGINE		Unit	TW12	TW16	TW17
Model	-		Kubota D1105	Kubota V1505	Kubota V1505
Power	kw / CV		18,5 / 25	18,5 / 25	18,5 / 25
Torque	Nm		72 a 2.600 rpm	92,5 a 1.600 rpm	92,5 a 1.600 rpm
Displacement	cm <sup>3</sup>		1.123	1.498	1.498
Number of cylinders	-		3	4	4
Revolutions per minute	rpm		3.000	2.300	2.300
Emission stage	-		V	V	V
Alternator	V - A		12 - 40	12 - 40	12 - 40
Cooling	-		Liquid	Liquid	Liquid
DRIVING		Unit	TW12	TW16	TW17
Speeds	-		1 Forward 1 Reverse	1 Forward 1 Reverse	1 Forward 1 Reverse
Maximum speed	km/h		18	18	18
Gradeability	%		30	20	35
Flow divider	-		-	-	-
Internal turning radius	mm		2.000 (4x2) / 2 200 (4x4)	2.175 (4x2) / 2 375 (4x4)	2.052
External turning radius	mm		3.700 (4x2) / 3 900 (4x4)	3.875 (4x2) / 4 075 (4x4)	4.000
Steering	-		Hydraulic with priority valve	Hydraulic with priority valve	Hydraulic with priority valve
Traction	-		4x2 / 4x4	4x2 / 4x4	4x4
Brakes	-		Hydrostatic on drive wheels. Service (drum) on front wheels. Automatic parking (multi-disc) on front wheels.	Hydrostatic on drive wheels. Service (disc) on front wheels. Automatic parking (multi-disc) on front wheels.	Hydrostatic on drive wheels. Service (disc) on front wheels. Automatic parking (multi-disc) on front wheels.
Tyres	-		Front: 11,0/65-12 Rear: 23x8,5 R 12	Front: 10,0/75-15,3" Rear: 7.00-12"	Front: 10,0/75-15,3" Rear: 7.00-12"
HYDRAULIC SYSTEM		Unit	TW12	TW16	TW17
Transmission	-		Hydrostatic	Hydrostatic	Hydrostatic
Hydraulic circuit	-		Single gear pump + priority valve	Single gear pump + priority valve	Single gear pump + priority valve
Flow rate	l/min		33	25	32
Working pressure	bar		140-160	140-160	140-160
TANKS		Unit	TW12	TW16	TW17
Hydraulic	l		35	35	35
Oil	l		35	35	35
EQUIPMENT		Unit	TW12	TW16	TW17
Battery	V - A		12 - 44	12 - 44	12 - 44
Mast options	m		Duplex: 2,5 / 3,14 / 3,6 Triplex: 3	Duplex: 2,5 / 3,14 / 3,6 Triplex: 3 / 3,8 / 4	Duplex: 2,5 / 3,14 / 3,6 Triplex: 3 / 3,8 / 4
Cab options	-		FOPS	FOPS	FOPS / Semicab / Fullcab+heating / Orchard / Buggie
Joystick	-		-	-	Optional

<b>GENERAL</b>		<b>Unit</b>	<b>TW20</b>	<b>TW25KX</b>	<b>TW25VL</b>	<b>TW35</b>
Load capacity at 500 mm	kg		2.000	2.500	2.500	3.500
Unladen weight	kg		3.470 (triplex 4 m)	3.728 (triplex 4 m)	3.722 (triplex 4 m)	4.211 (triplex 4,5 m)
Ground clearance	mm		345	345	345	365
Ground clearance mast	mm		210	210	210	225
<b>ENGINE</b>		<b>Unit</b>	<b>TW20</b>	<b>TW25KX</b>	<b>TW25VL</b>	<b>TW35</b>
Model	-		Kubota V1505	Kubota V1505	Kohler KDI1903	Kohler KDI1903
Power	kW / CV		18,5 / 25	18,5 / 25	36,5 / 50	36,5 / 50
Torque	Nm		92,5 a 1.600 rpm	92,5 a 1.600 rpm	170 a 1.700 rpm	170 a 1.700 rpm
Displacement	cm <sup>3</sup>		1.498	1.498	1.900	1.900
Number of cylinders	-		4	4	3	3
Revolutions per minute	rpm		2.300	2.300	2.600	2.600
Emission stage	-		V	V	V	V
Alternator	V - A		12 - 40	12 - 40	12 - 100	12 - 100
Cooling	-		Liquid	Liquid	Liquid	Liquid
<b>DRIVING</b>		<b>Unit</b>	<b>TW20</b>	<b>TW25KX</b>	<b>TW25VL</b>	<b>TW35</b>
Speed	-		2 Forward 2 Reverse	2 Forward 2 Reverse	2 Forward 2 Reverse	2 Forward 2 Reverse
Maximum speed	km/h		18	21	24	24
Gradeability	%		25	35	25	35
Flow divider			-	Yes	-	Yes
Internal turning radius	mm		2.225	2.225	2.225	2.100
External turning radius	mm		3.725	3.725	3.725	4.400
Steering	-		Hydraulic with priority valve	Hydraulic with priority valve	Hydraulic with priority valve	Hydraulic with priority valve
Traction	-		4x4	4X4 disconnectable	4X4	4X4 disconnectable
Brakes	-		Hydrostatic on drive wheels. Service (multi-disc) on front wheels. Automatic parking (multi-disc) on front wheels.	Hydrostatic on drive wheels. Service (multi-disc) on front wheels. Automatic parking (multi-disc) on front wheels.	Hydrostatic on drive wheels. Service (multi-disc) on front wheels. Automatic parking (multi-disc) on front wheels.	Hydrostatic on drive wheels. Service (multi-disc) on front wheels. Automatic parking (multi-disc) on front wheels.
Tyres	-		Front: 11,50/80-15,3 Rear: 10,0/75-15,3	Front: 11,50/80-15,3 Rear: 10,0/75-15,3	Front: 11,50/80-15,3 Rear: 10,0/75-15,3	Front: 12,0/75-18 Rear: 10,0/75-15,3
<b>HYDRAULIC SYSTEM</b>		<b>Unit</b>	<b>TW20</b>	<b>TW25KX</b>	<b>TW25VL</b>	<b>TW35</b>
Transmission	-		Hydrostatic	Hydrostatic	Hydrostatic	Hydrostatic
Hydraulic circuit			Single gear pump + priority valve	Single gear pump + priority valve	Single gear pump + priority valve	Single gear pump + priority valve
Flow rate	l/min		25	25	40	40
Working pressure	bar		160-180	160-180	160-180	160-180
<b>TANKS</b>		<b>Unit</b>	<b>TW20</b>	<b>TW25KX</b>	<b>TW25VL</b>	<b>TW35</b>
Hydraulic	l		55	55	55	55
Oil	l		55	55	55	55
<b>EQUIPMENT</b>		<b>Unit</b>	<b>TW20</b>	<b>TW25KX</b>	<b>TW25VL</b>	<b>TW35</b>
Battery	V - A		12 - 74	12 - 74	12 - 120	12 - 120
Mast options	m		Duplex: 3,14 / 3,6 Triplex: 4 / 6	Duplex: 3,6 Triplex: 4 / 6	Duplex: 3,14 / 3,6 Triplex: 4 / 6	Duplex: 3,6 Triplex: 4,5 / 6
Cab options			FOPS / Semicab / Fullcab+heating	FOPS / Semicab / Fullcab+heating	FOPS / Semicab / Fullcab+heating	FOPS / Semicab / Fullcab+heating
Joystick			Yes	Yes	Yes	Yes

19°49'14.2"N  
155°28'05.2"W

# AGRIMAC

Barrio de Euba, S/N  
Amorebieta (Vizcaya), Spain

+34 946 300 055

[www.agrimac.es](http://www.agrimac.es)

43°11'14.3"N  
21°10'09.0"W